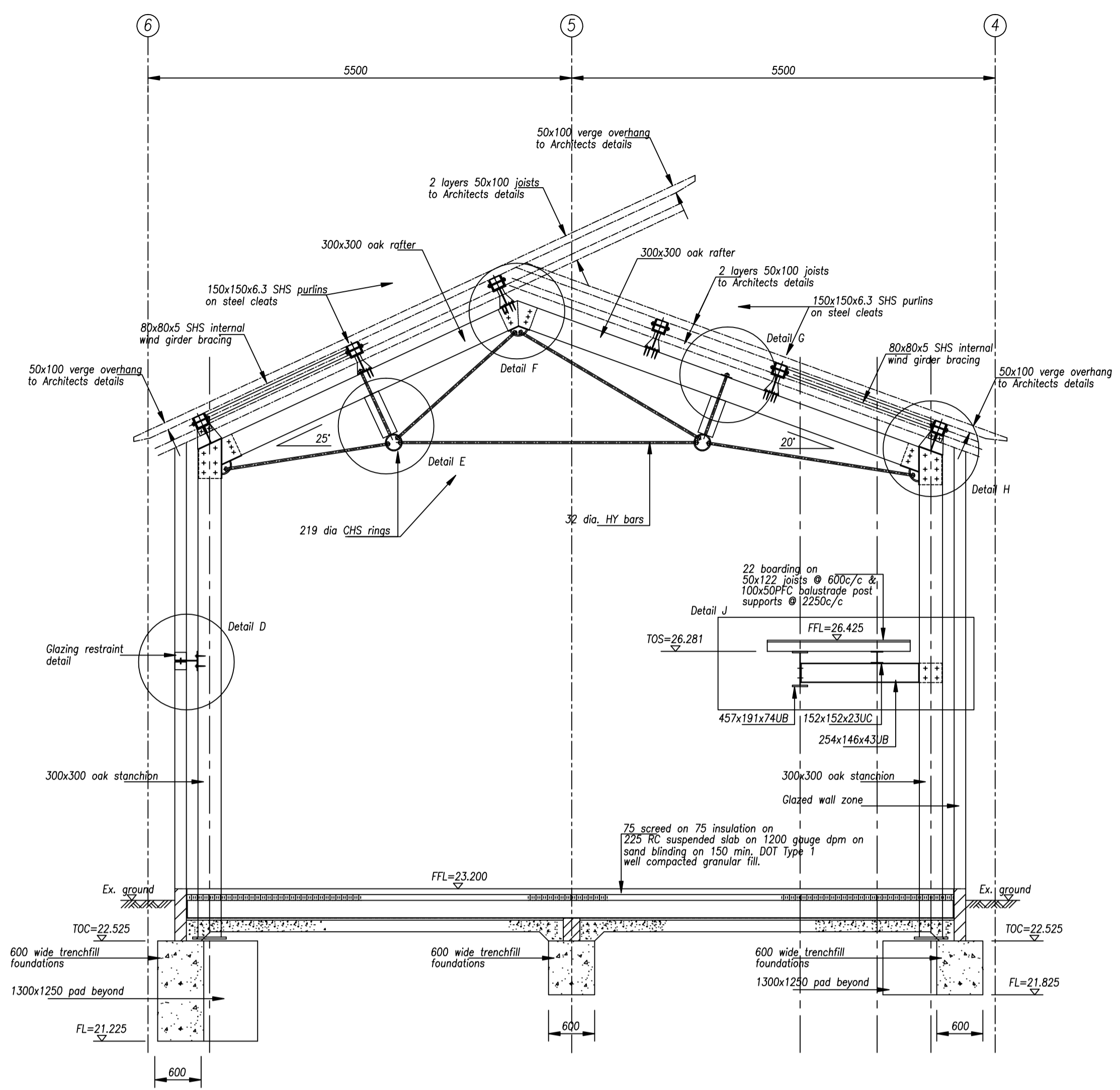
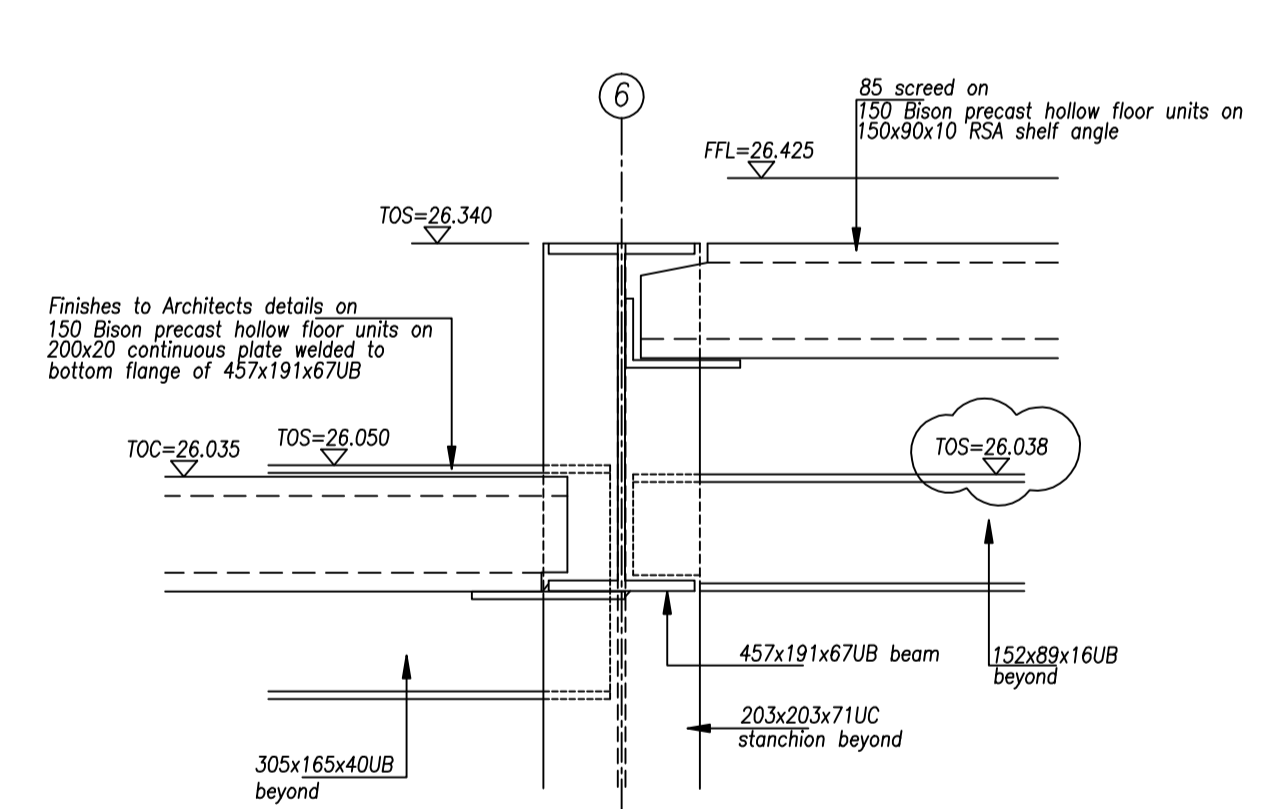


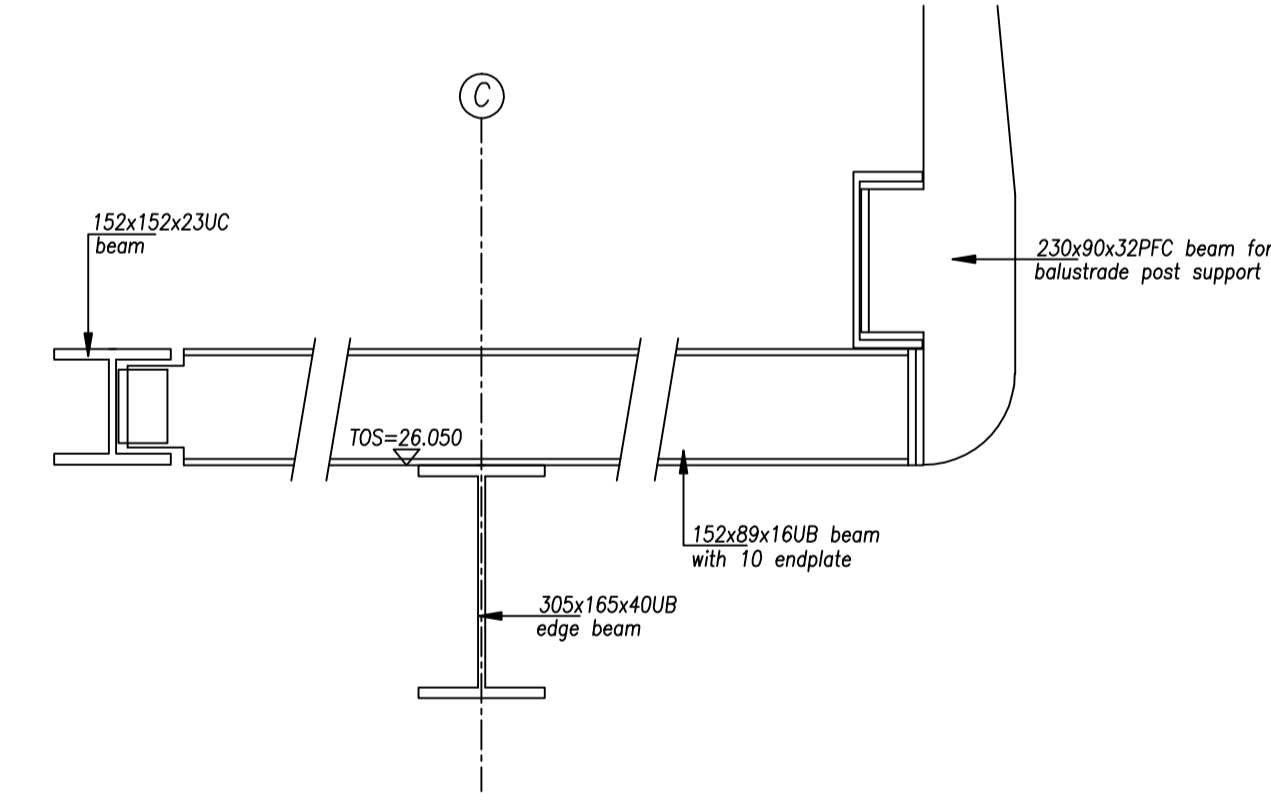
SECTION A-A



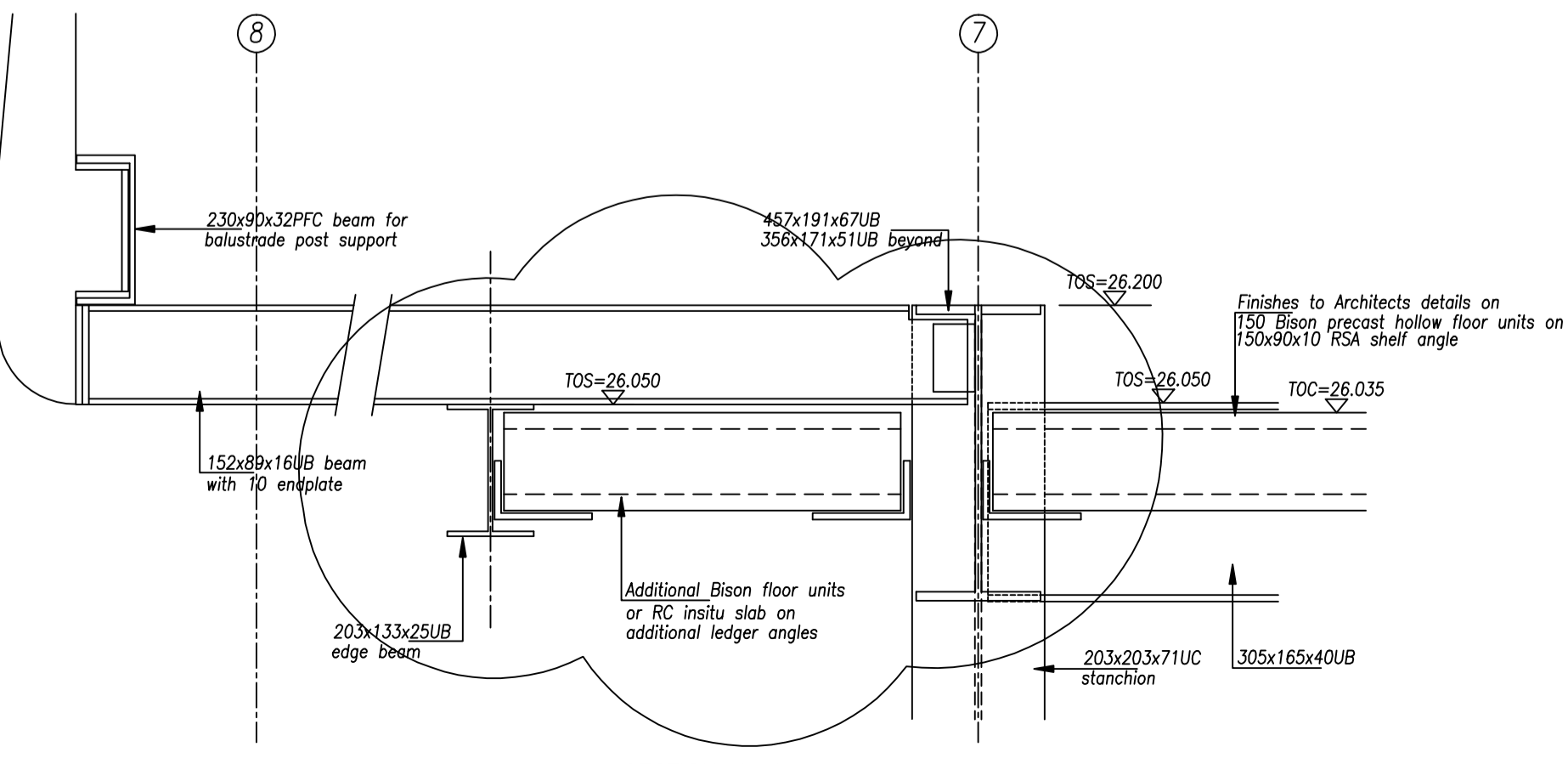
SECTION B-B



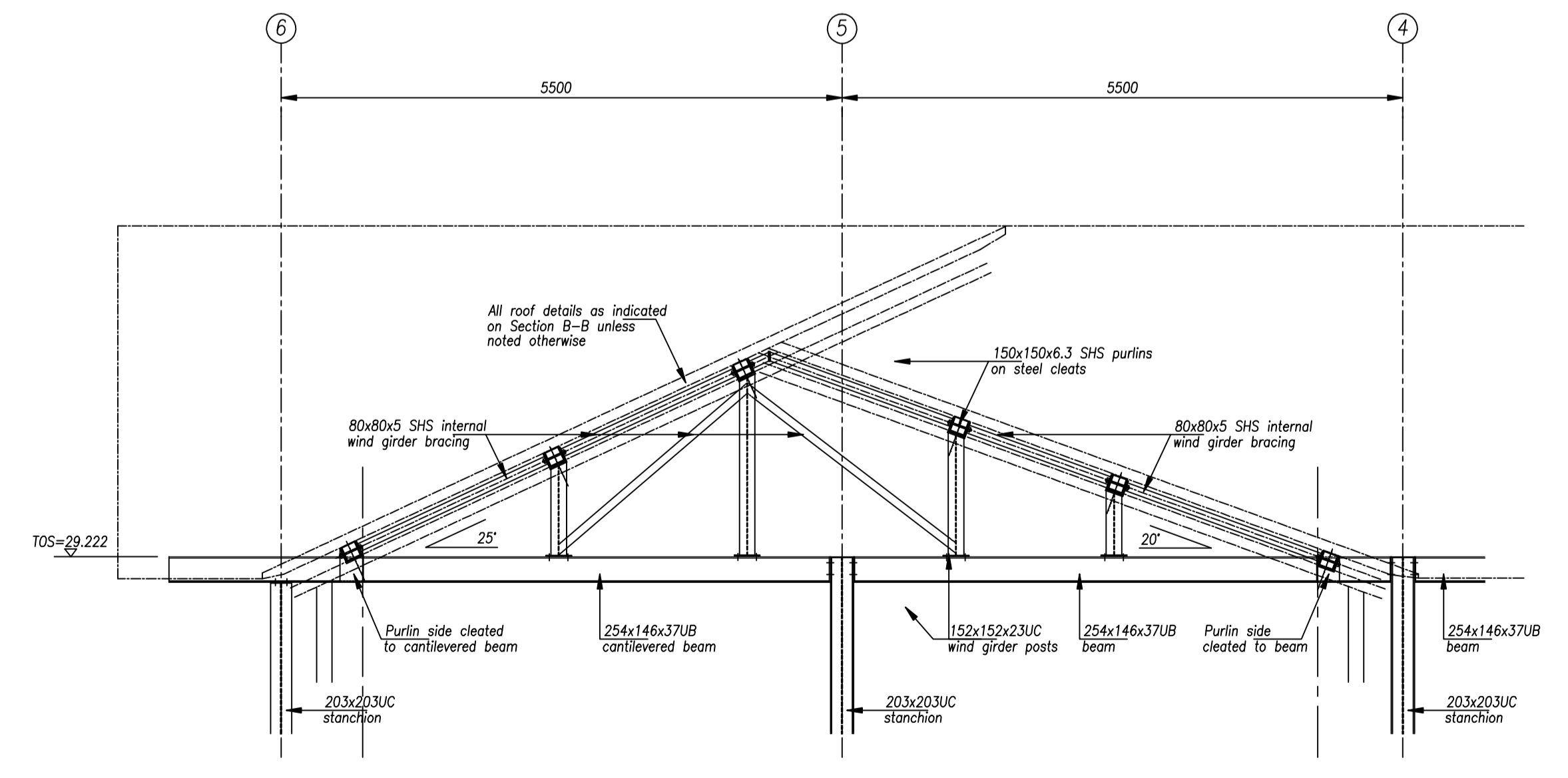
SECTION 2-2
1:10



SECTION 3-3
1:10



SECTION 4-4
1:10



SECTION C-C

Notes
 1. This drawing to be read in conjunction with all relevant current Architects drawings.
 2. For locations of sections indicated on this drawing refer to drawing number 11686-01, 05 & 06.
 3. Abbreviations
 TOC = top of concrete
 FL = concrete formation level
 TOW = top of retaining wall
 FFL = finished floor level
 SSL = structural slab level.

F	23.7	CFH	REVISIONS CLOUDED
E	2.6	CFH	REVISIONS CLOUDED
D	26.7	CFH	MASONITE NOGGINS ADDED.
C	15.7	CFH	SECTIONS 2-2, 3-3 AND 4-4 ADDED.
B	12.7	CFH	CALL UPS & SECTIONS ADDED. WIND BRACING MEMBERS REVISED.
A	27.6	CFH	SECTION C-C ADDED. SECTIONS A-A & B-B UPDATED.
rev	date	by	description

M. A. HOWARD ASSOCIATES
 Consulting Civil & Structural Engineers
 190, Bedminster Down Road
 BRISTOL, BS13 7AF
 Tel & Fax (0117) 949 6749

architect
 Quattro Design Architects Limited
 1 Great George Street
 Bristol BS1 5RR
 job title
 Wellspring Healthy Living Centre
 Barton Hill, Bristol
 for Community at Heart

drg title
 CROSS SECTIONS

job No	11686	drg No	07	rev	F
date	June 2002	scale	1:50, 10 @ A1		
drawn	CFH	filename	11686-07F		