

NOTES.

1.0	This drawing is to be read in conjunction with the Architects Drawings. DO NOT SCALE FROM THIS DRAWING. All dimensions to be confirmed by site measurement.
2.0	STEELWORK – to be grade S275, blast cleaned in accordance with Clause 720 of BS7079 Part A1, preparation grade SA2.5, shop primed with high build zinc phosphate (dry film thickness 75 microns).

PLAN @ 2nd FLOOR LEVEL
(indicating new roof structure over)
(1:50)

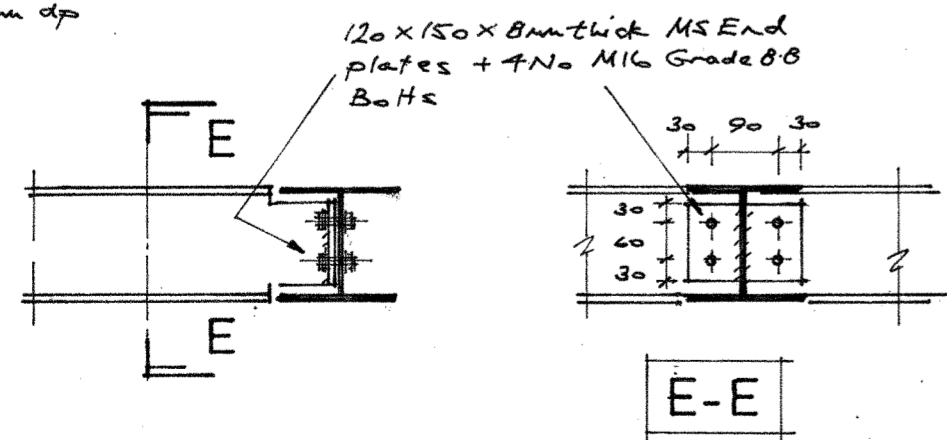
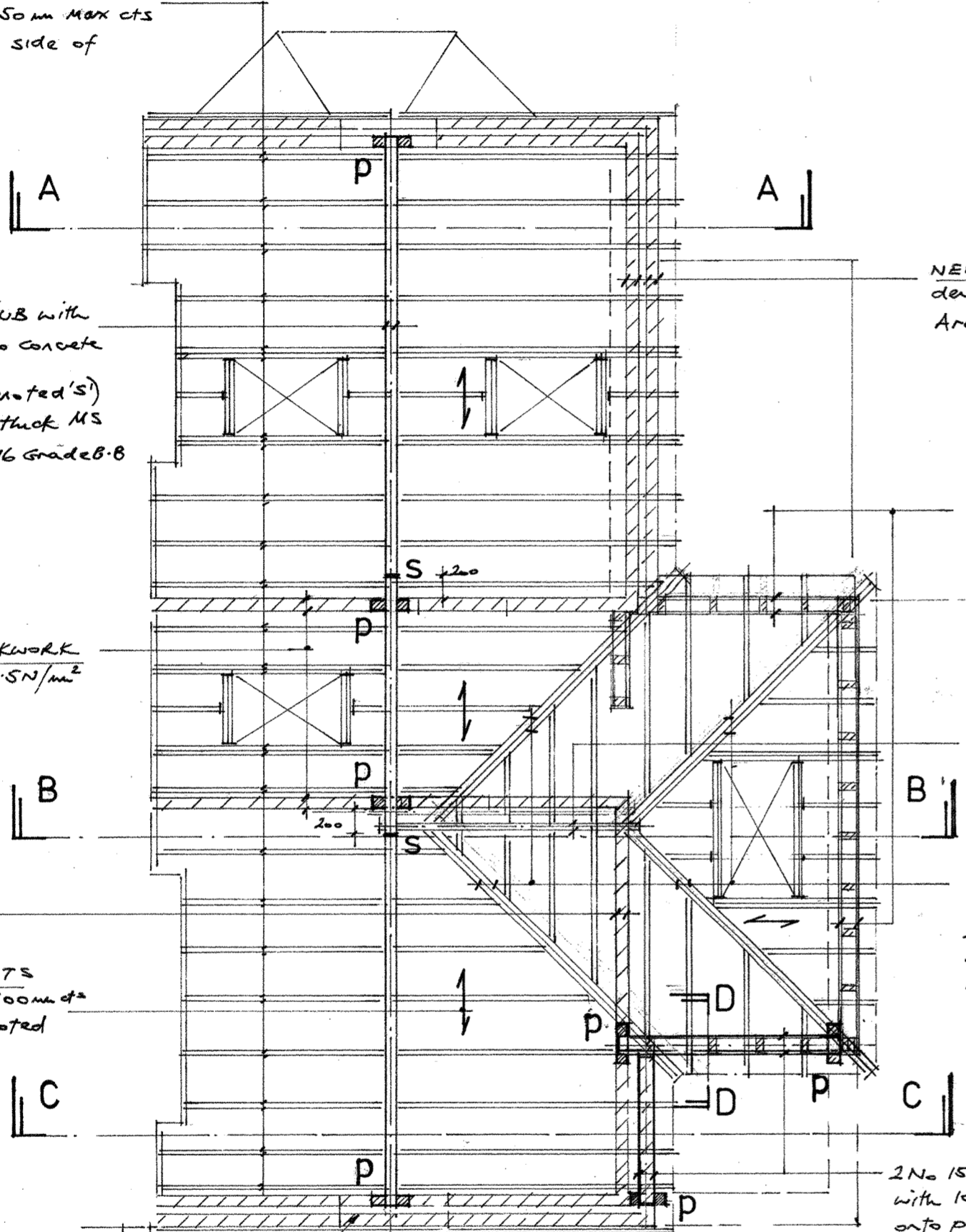
NEW RAFTERS all to consist of 47x150 C24's @ 450mm max cts doubled up either side of Velux windows.

NEW RIDGE BEAM 178x102x19 Kg/m UB with 100mm bearings onto concrete padstones. Splice Detail (denoted 'S') to consist of 8mm thick MS End Plates + 4 No M16 Grade 8.8 Bolts.

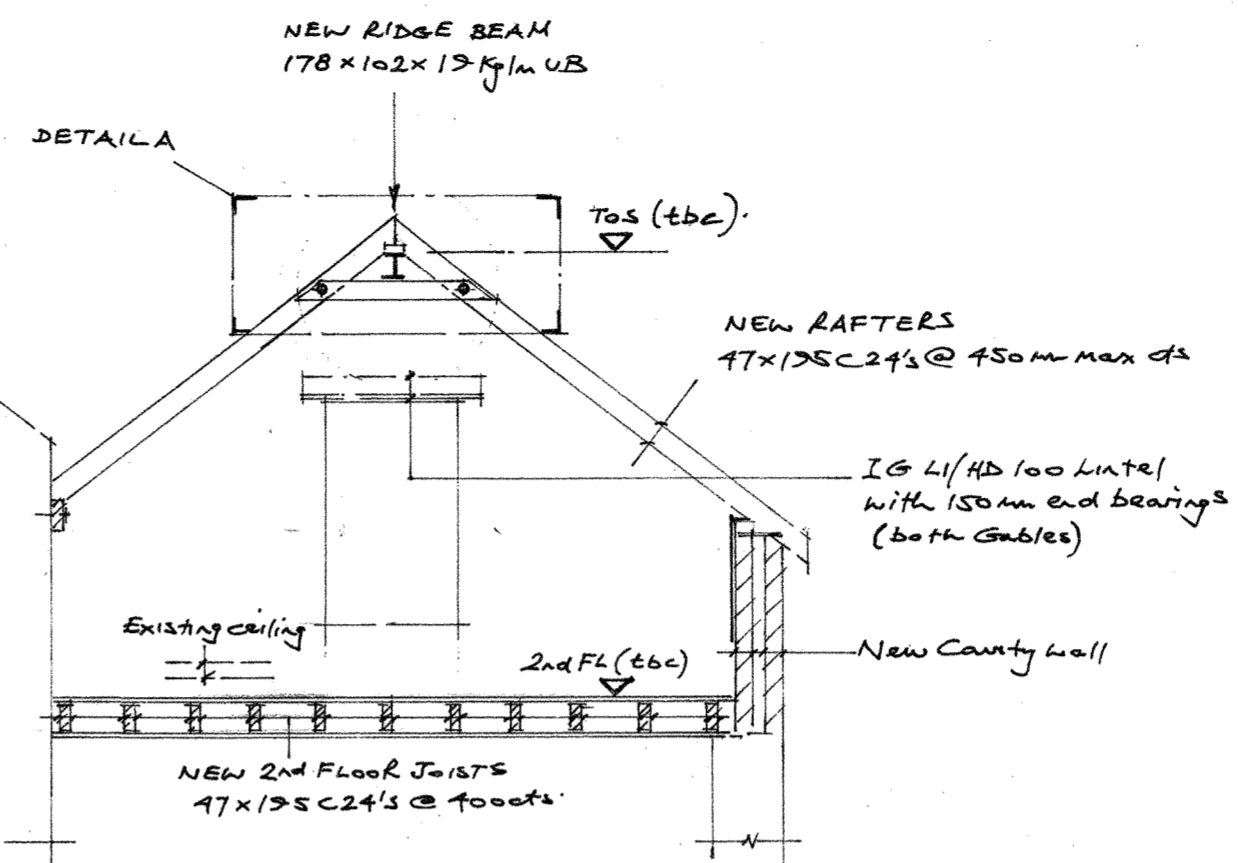
LOAD BEARING BLOCKWORK 100mm thick Grade 3.5 N/mm² Blockwork.

NEW 2nd FLOOR JOISTS 47x195 C24's @ 400mm cts span direction denoted thus.

PADSTONES - all padstones denoted P' to consist of 300mm lengths of 100mm x 150mm dp precast concrete.



SECTION D-D (1:10)



SECTION A-A (1:50)

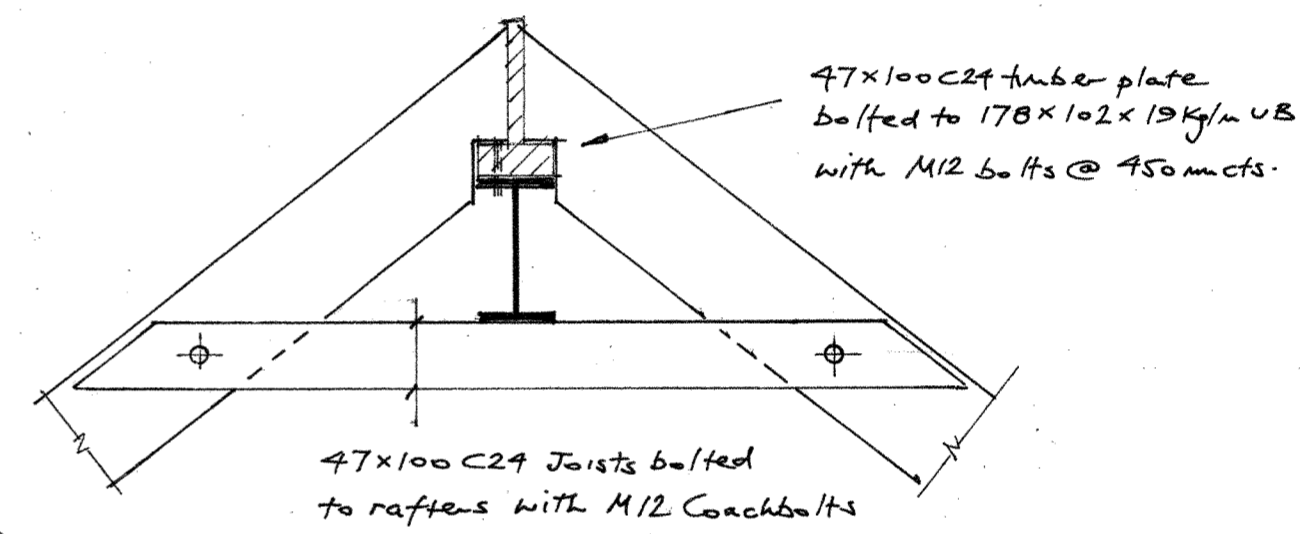
NEW CAVITY WALLS denoted thus to Architects specification

LOAD BEARING TIMBER STUD WALL consisting of 50x100 C24 Vertical studs @ 450mm cts. Double studs to corners

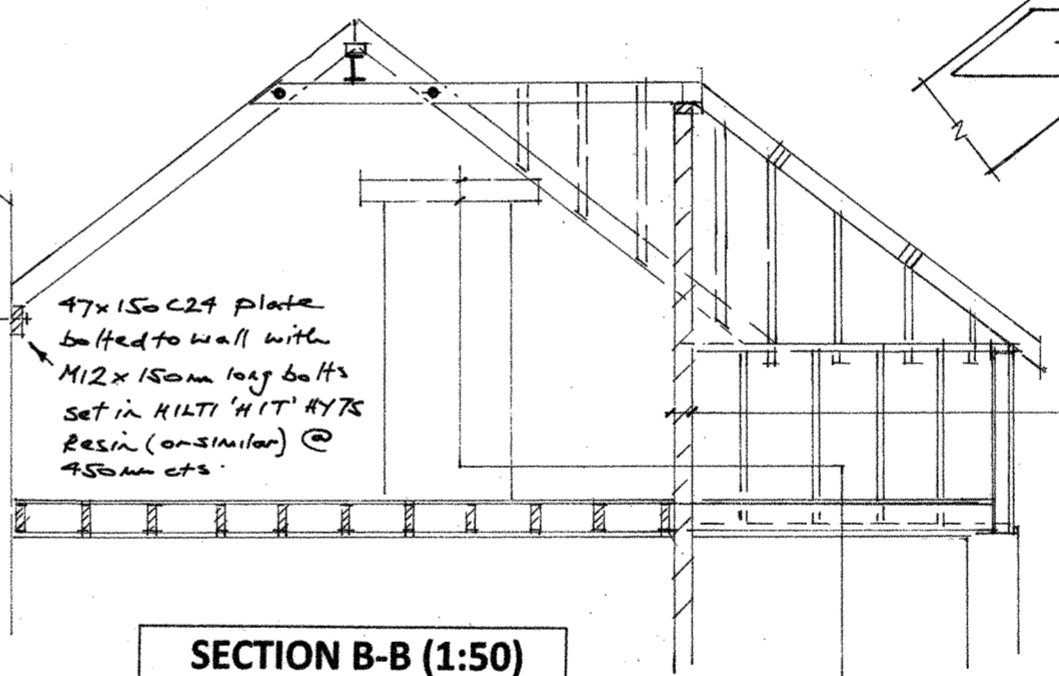
RIDGE BEAM to consist of 47x195 C24

HIP & VALLEY RAFTERS all to consist of 2 No 47x195 C24's bolted together with M12 Coachbolts @ 450 cts.

2 No 152x152x23 Kg/m UC's with 100mm end bearings onto padstones. Connection as per Section D-D.

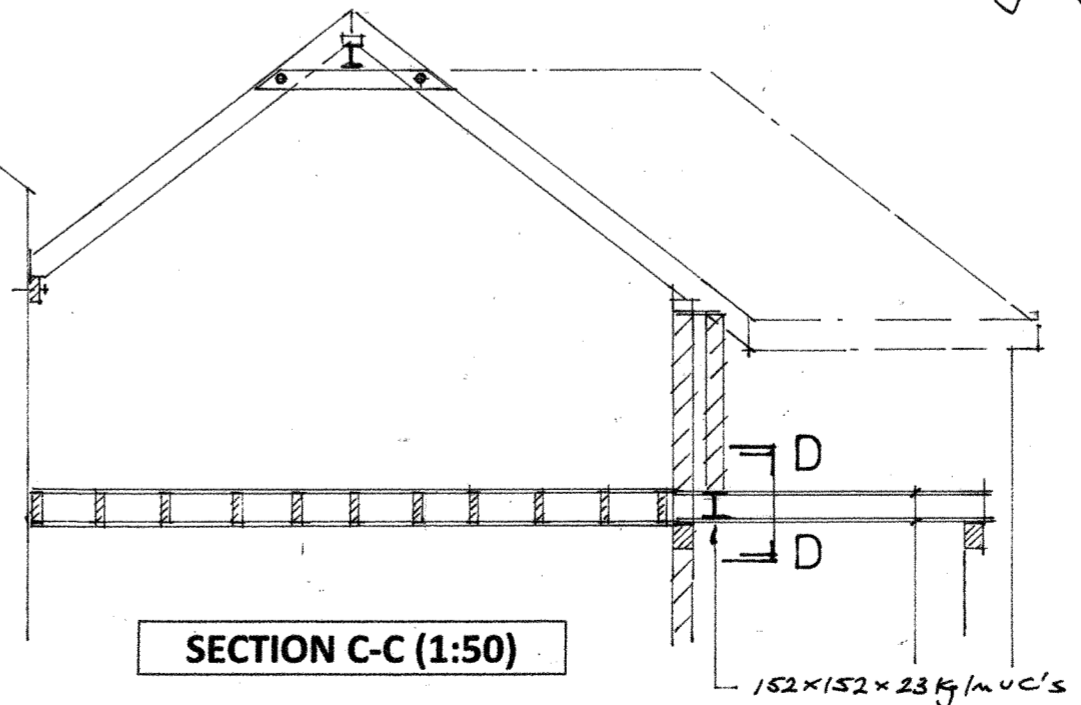


DETAIL A (1:10)



SECTION B-B (1:50)

100mm x 150mm dp STRESSLINE prestressed concrete lintel with 150mm end bearings. (both crosswalls).



SECTION C-C (1:50)

M. A. HOWARD ASSOCIATES LTD
Consulting Civil & Structural Engineers

188, Bedminster Down Road
BRISTOL, BS13 7AF

Tel (0117) 949 6749
e-mail: mark@mahoward.co.uk

Client:

Job: **BRISTOL BS7 8HP – Proposed Alterations & Extension**

Drawing Title: **STRUCTURAL WORKS**

Drawing No: **32760/1** Dec 2013