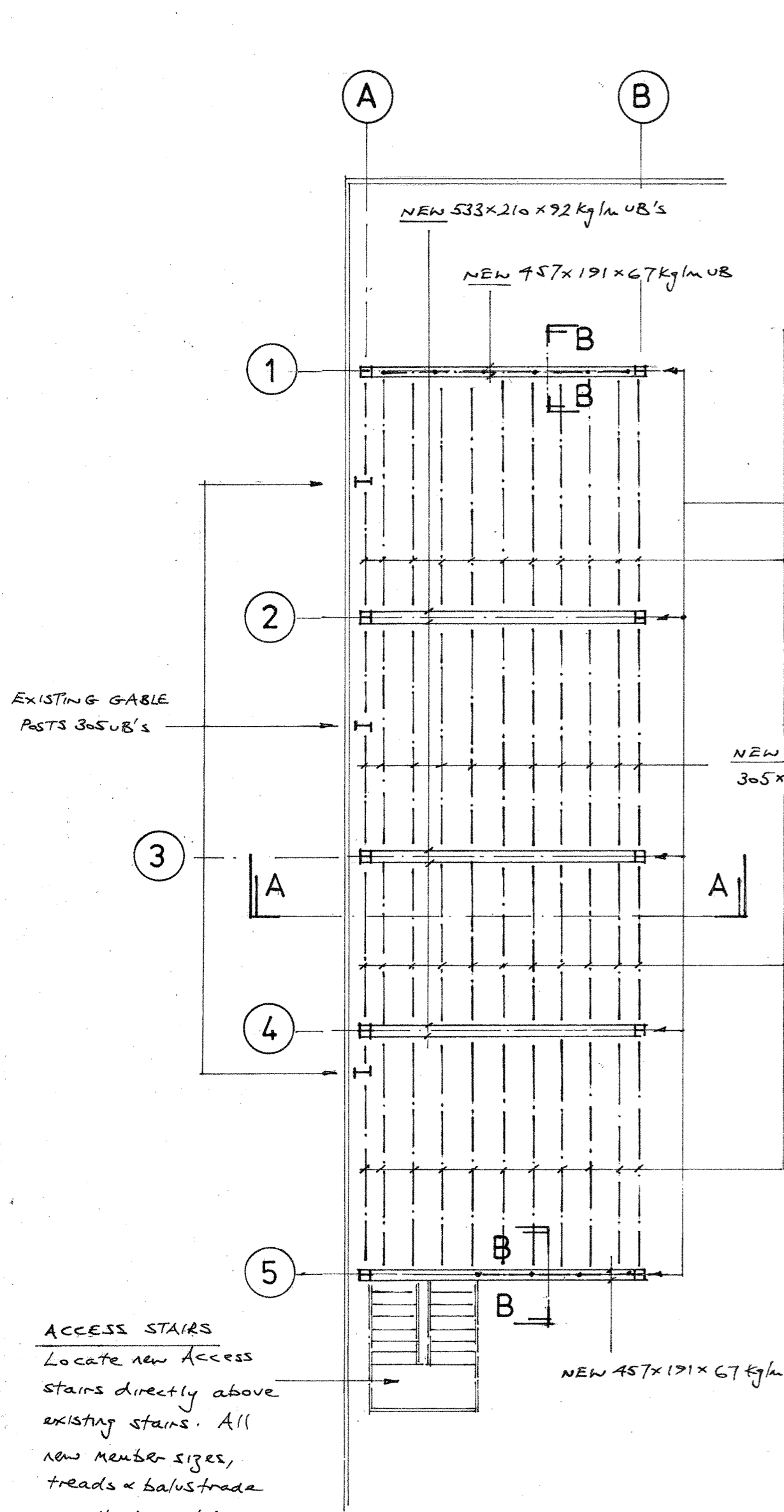
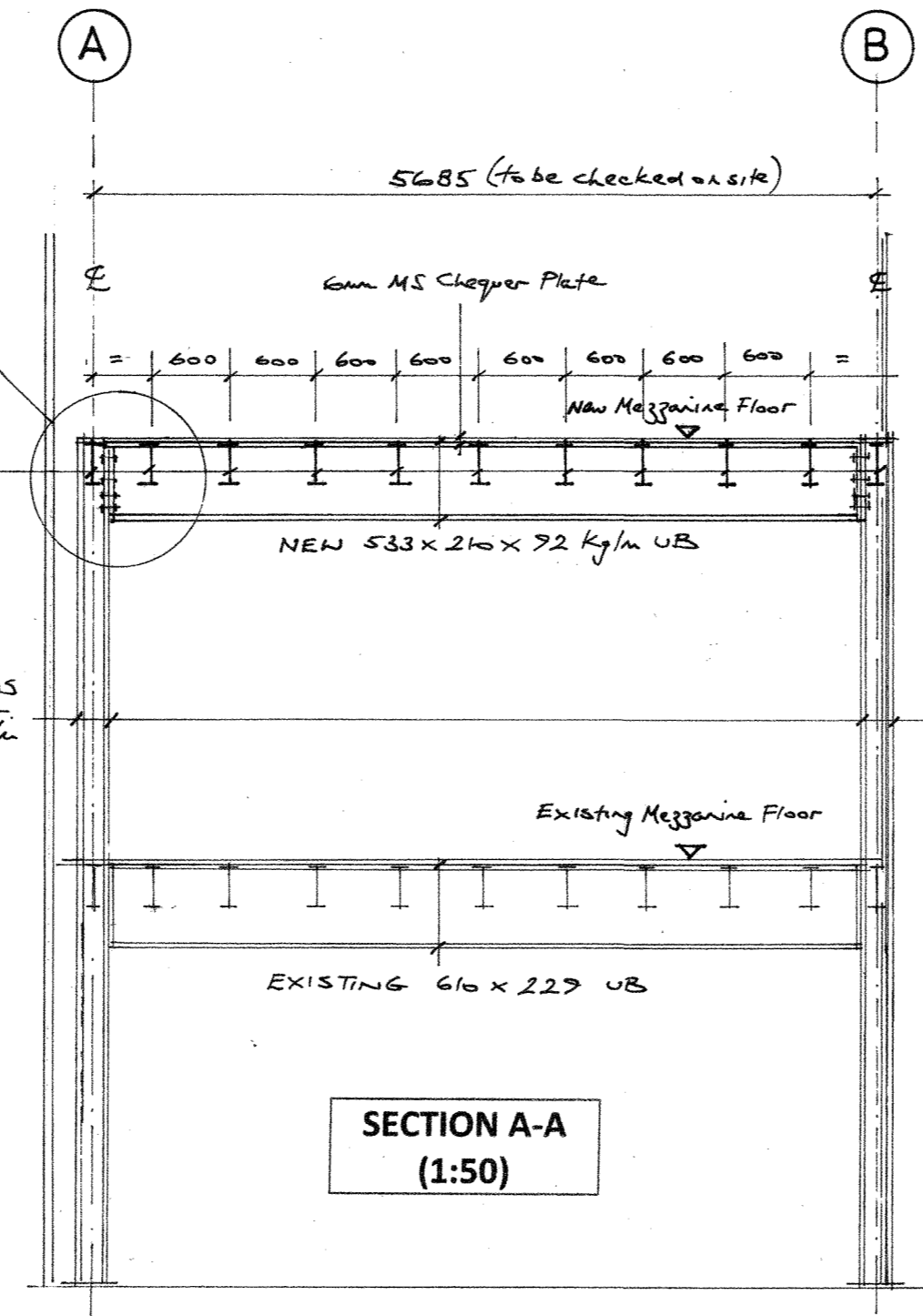


NOTES

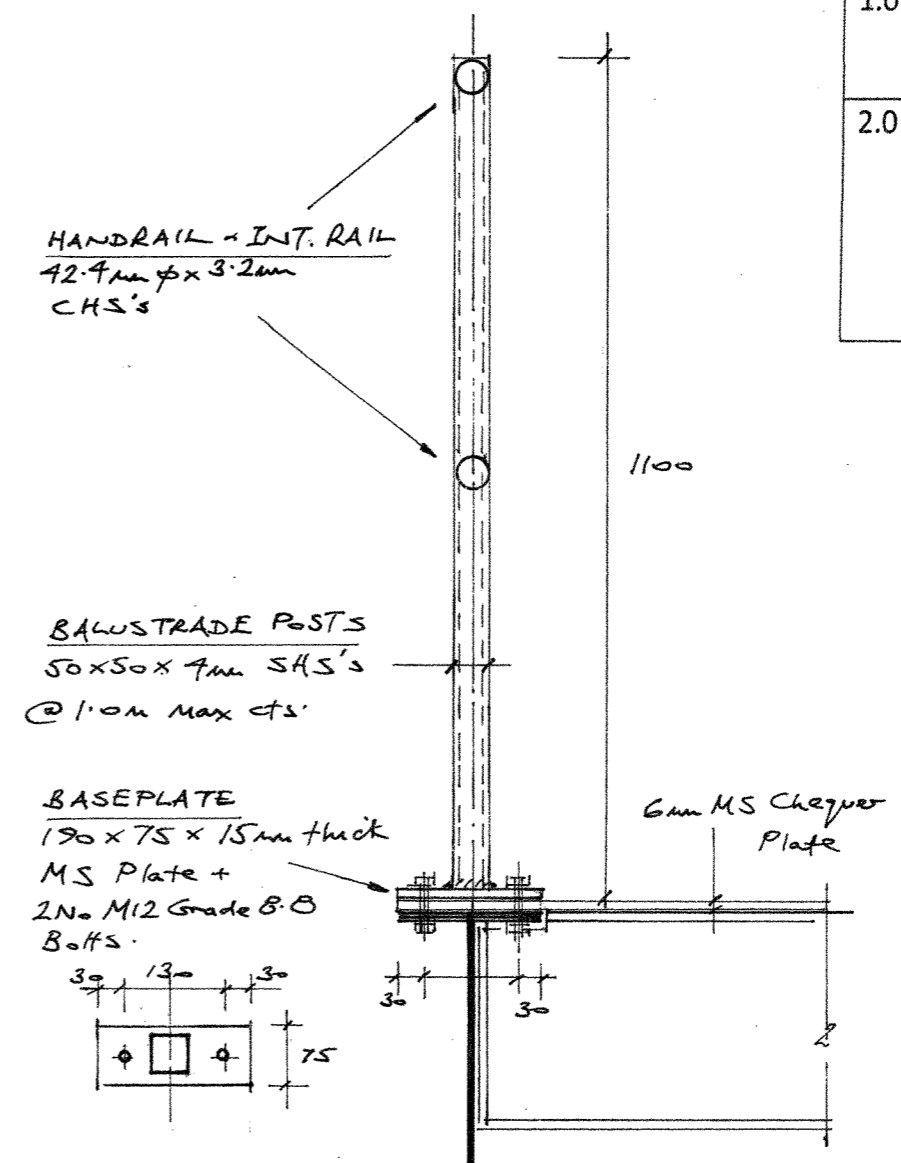
| | |
|-----|---|
| 1.0 | DO NOT SCALE FROM THIS DRAWING. All dimensions to be confirmed by site measurement. |
| 2.0 | STEELWORK – to be Grade S355, blast cleaned in accordance with Clause 720 of BS7079 Part A1, preparation grade SA2.5, shop primed with high build zinc phosphate (dry film thickness 75 microns) Intumescent Paint Finish to provide 1 Hour fire protection. |



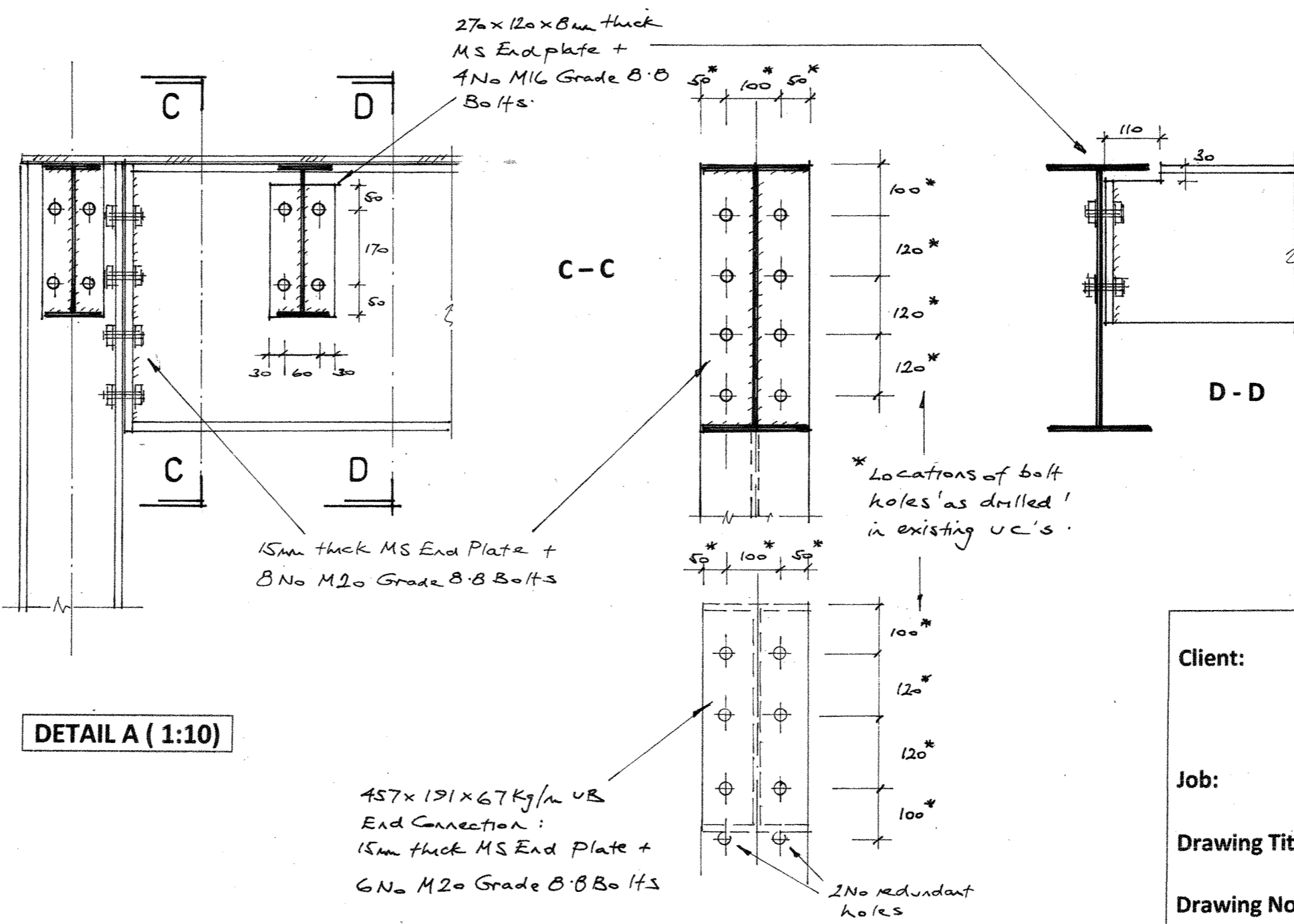
PLAN ON NEW MEZZANINE FLOOR (1:100)



SECTION A-A (1:50)



SECTION B-B Typical Balustrade Detail (1:10)



DETAIL A (1:10)

M. A. HOWARD ASSOCIATES LTD
Consulting Civil & Structural Engineers
188, Bedminster Down Road
BRISTOL, BS13 7AF
Tel (0117) 949 6749
e-mail: mark@mahoward.co.uk

Client: **EUROPEAN FRICTION INDUSTRIES LTD**
Enterprise House, 6-7, Bonville Road
Brislington, BRISTOL BS4 5NZ
Job: **NEW MEZZANINE FLOOR**
Drawing Title: **STRUCTURAL STEELWORK DETAILS**
Drawing No: **52967/1** Oct 2015