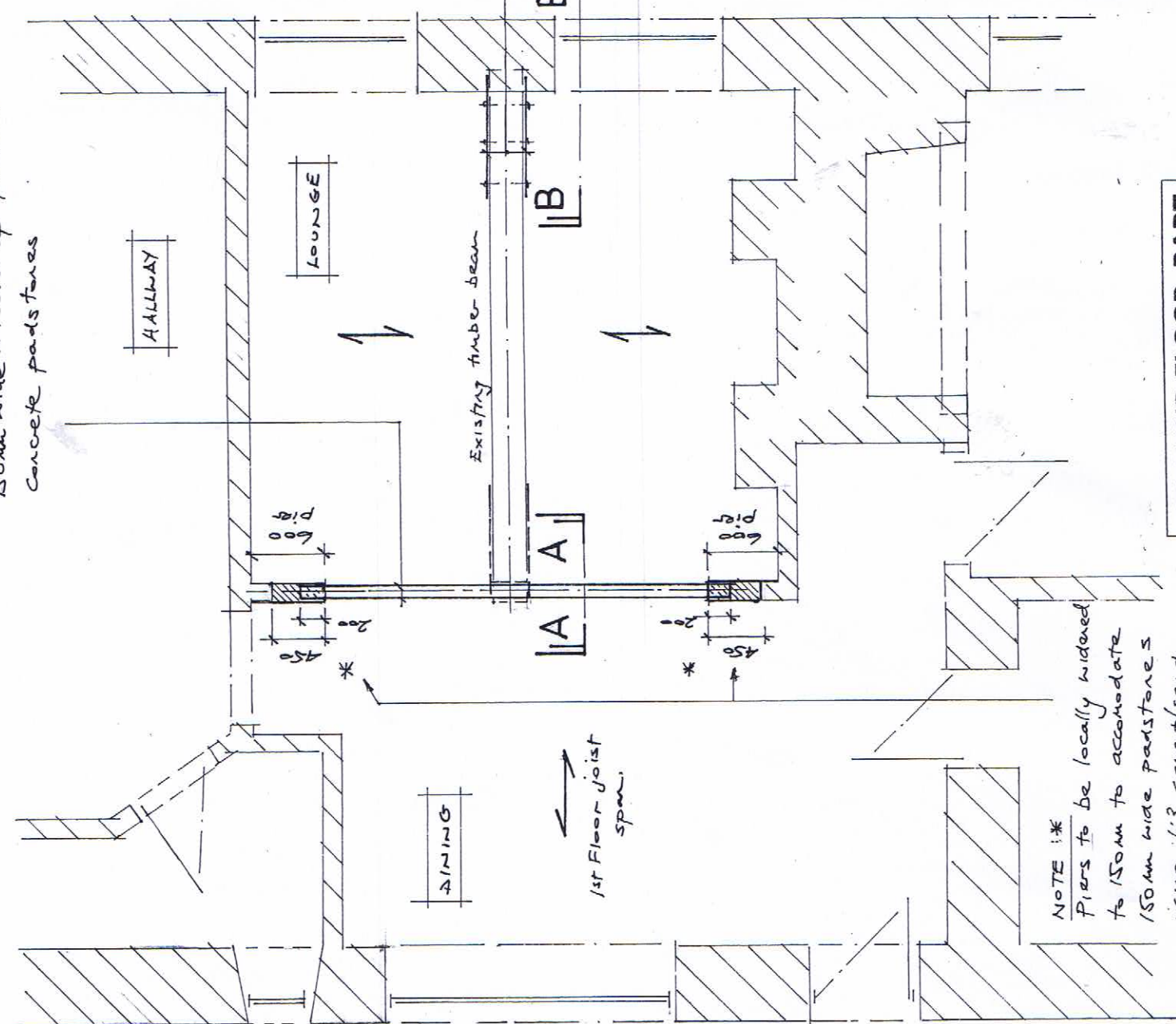


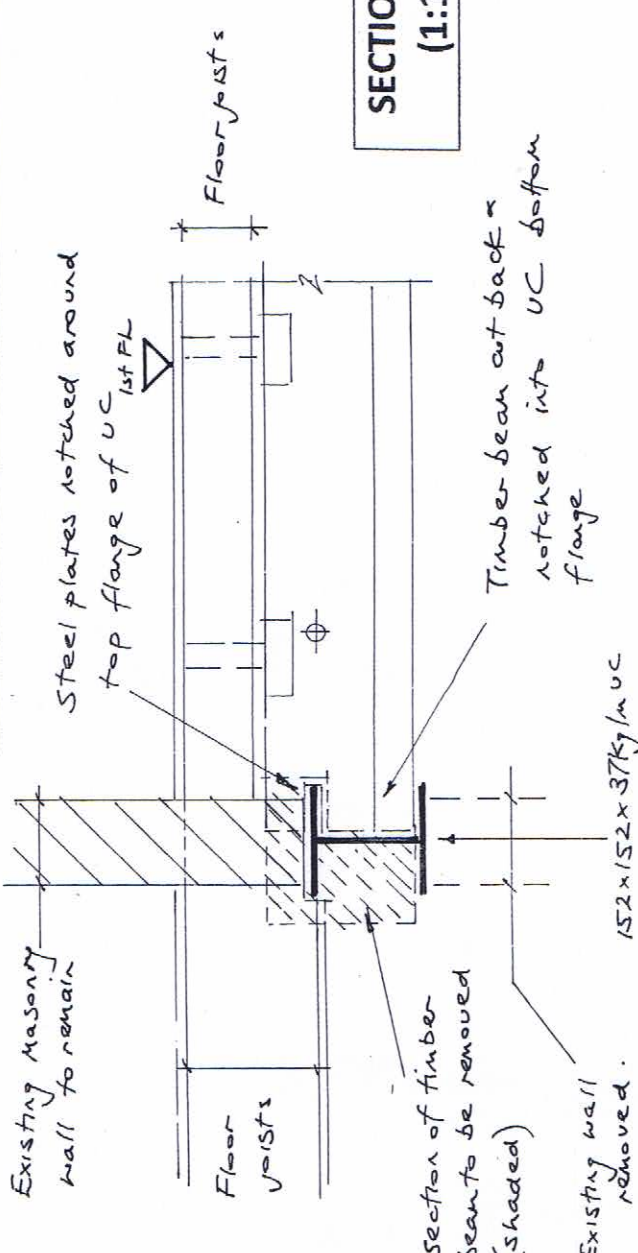
1.0	DO NOT SCALE FROM THIS DRAWING. All dimensions to be confirmed by site measurement.
2.0	STEELWORK - to be Grade S355, blast cleaned in accordance with Clause 720 of BS7079 Part A1, preparation grade SA2.5, shop primed with high build zinc phosphate (dry film thickness 75 microns).

SUPPORT BEAM
 152 x 152 x 37 Kg/m UC with 200mm end bearings onto 750mm length of 150mm wide x 100mm dp precast concrete padstones



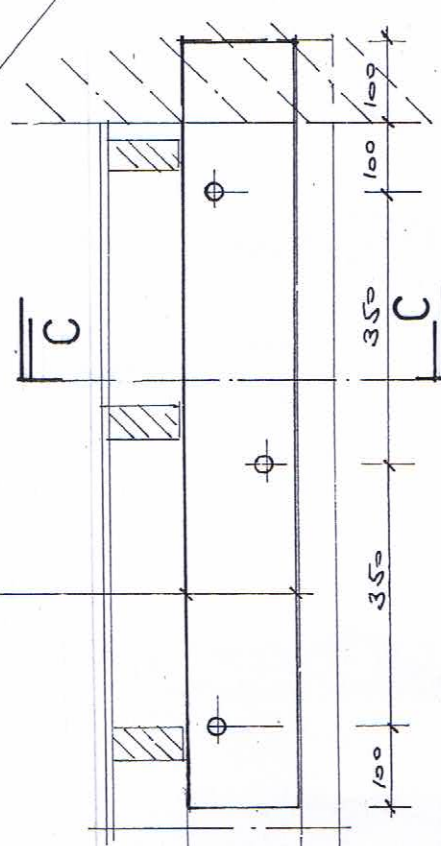
NOTE: *
 Piers to be locally widened to 150mm to accommodate 150mm wide padstones using 1:3 cement/sand mortar.
 Check pier foundations for service load = 50kN.

**GROUND FLOOR PART
 PLAN (1:50)**

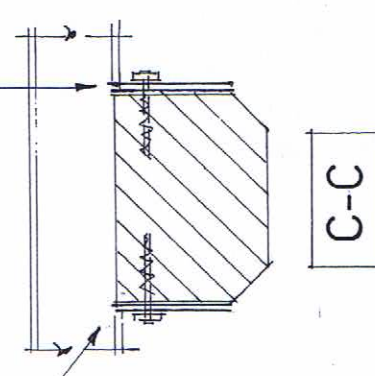


Existing masonry wall to remain
 Floor joists
 Steel plates notched around top flange of UC 1st FL
 Section of timber beam to be removed (shaded)
 Existing wall removed. 152x152x37Kg/m UC
 Timber beam cut back & notched into UC bottom flange

2 No 100mm lengths of 100mm x 10mm thick MS plates each fixed to side of existing timber beam with 3 No M12 x 100mm long coachscrews.



**SECTION B-B
 (1:10)**



C-C

M. A. HOWARD ASSOCIATES LTD
 Consulting Civil & Structural Engineers
 188, Bedminster Down Road
 BRISTOL, BS13 7AF
 Tel (0117) 949 6749
 e-mail: mark@mahoward.co.uk

Client: RUPERT LOWE
Job: THE REFUGE, TEMPLE CLOUD BS39 5BW
 Proposed Internal Alterations
Drawing Title: STRUCTURAL WORKS
Drawing No: 52978/1
November 2015