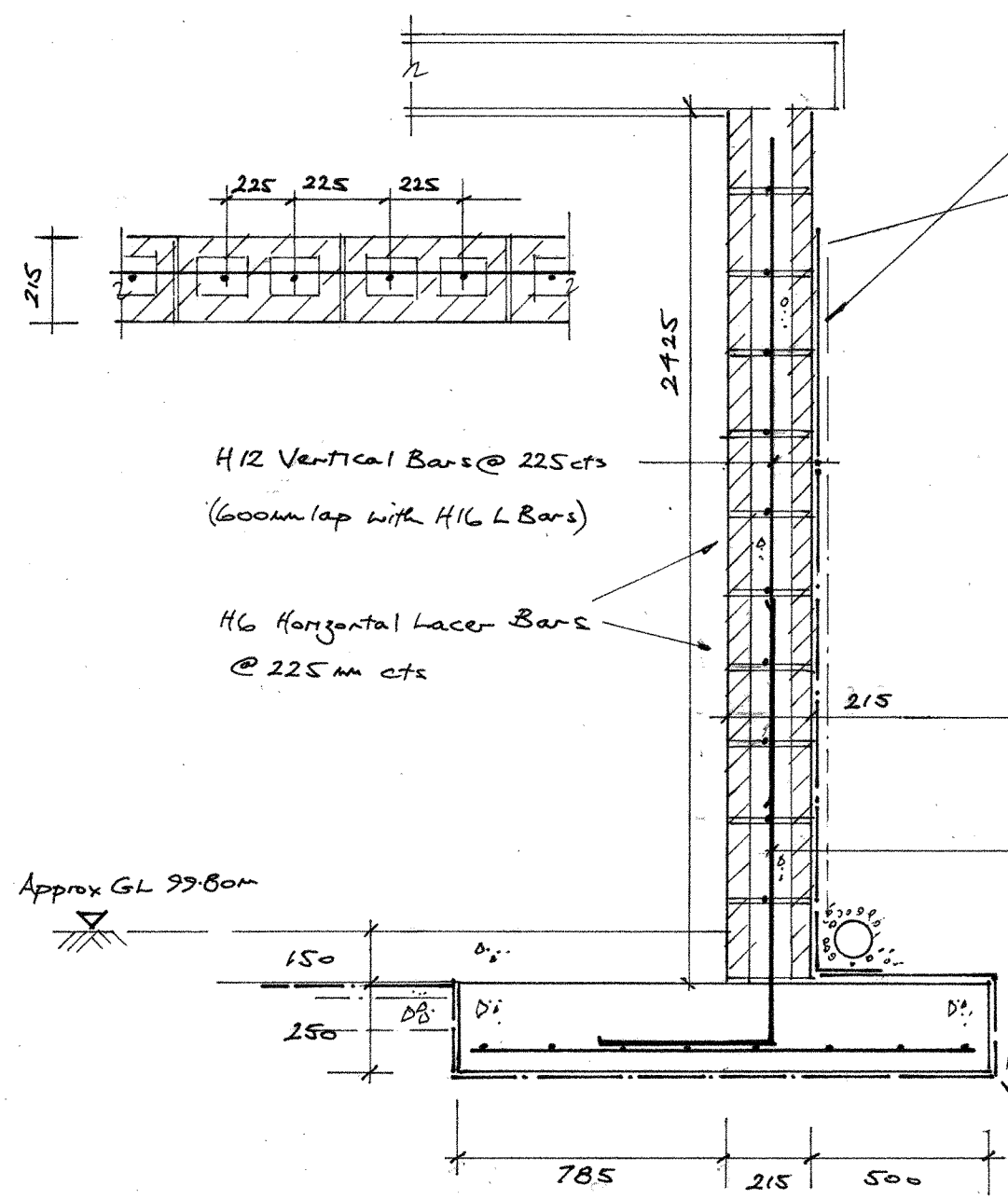


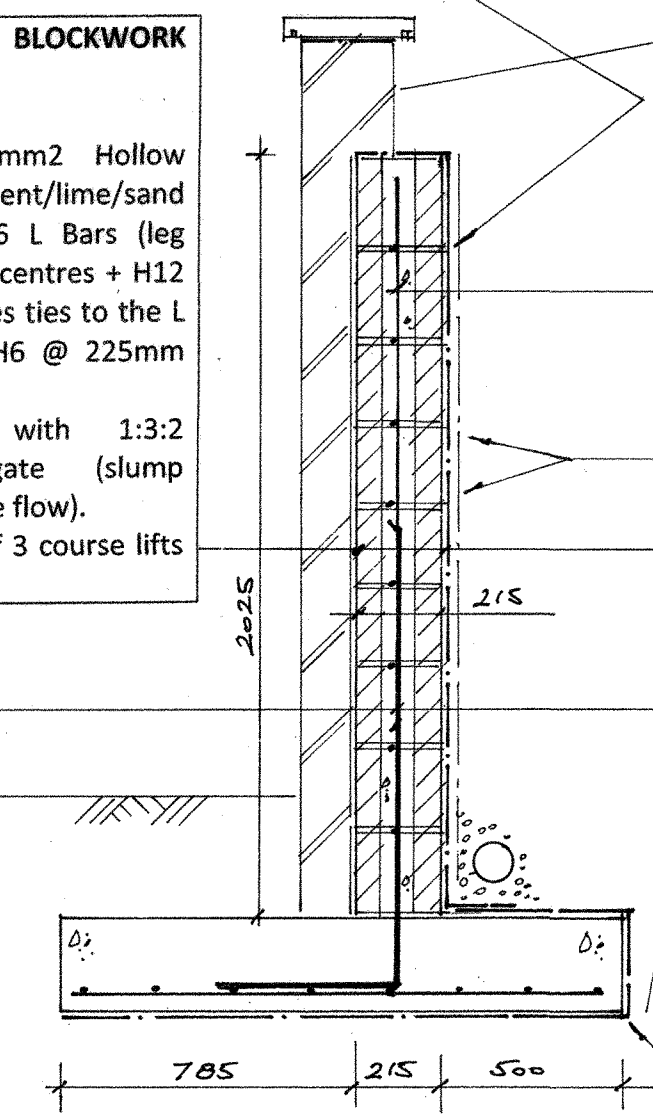
NOTES

1.0	DO NOT SCALE FROM THIS DRAWING. All dimensions to be confirmed by site measurement.
2.0	This drawing is to be read in conjunction with the Architects drawings.

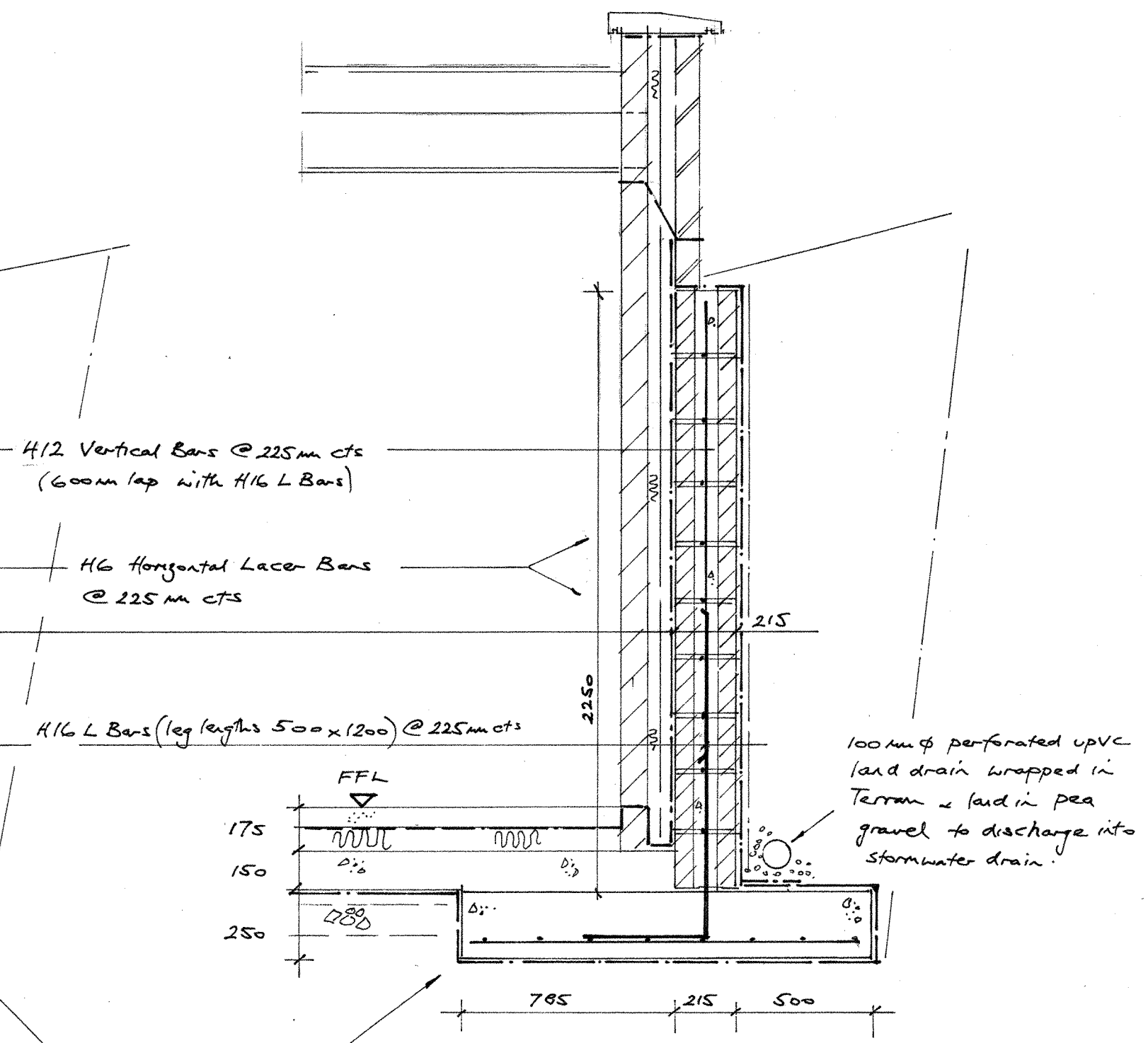
**SECTION A-A
(Garage Back Wall)
(1:20)**



**SECTION B-B
(Garden Wall)
(1:20)**



**SECTION C-C
(Side Extension)
(1:20)**

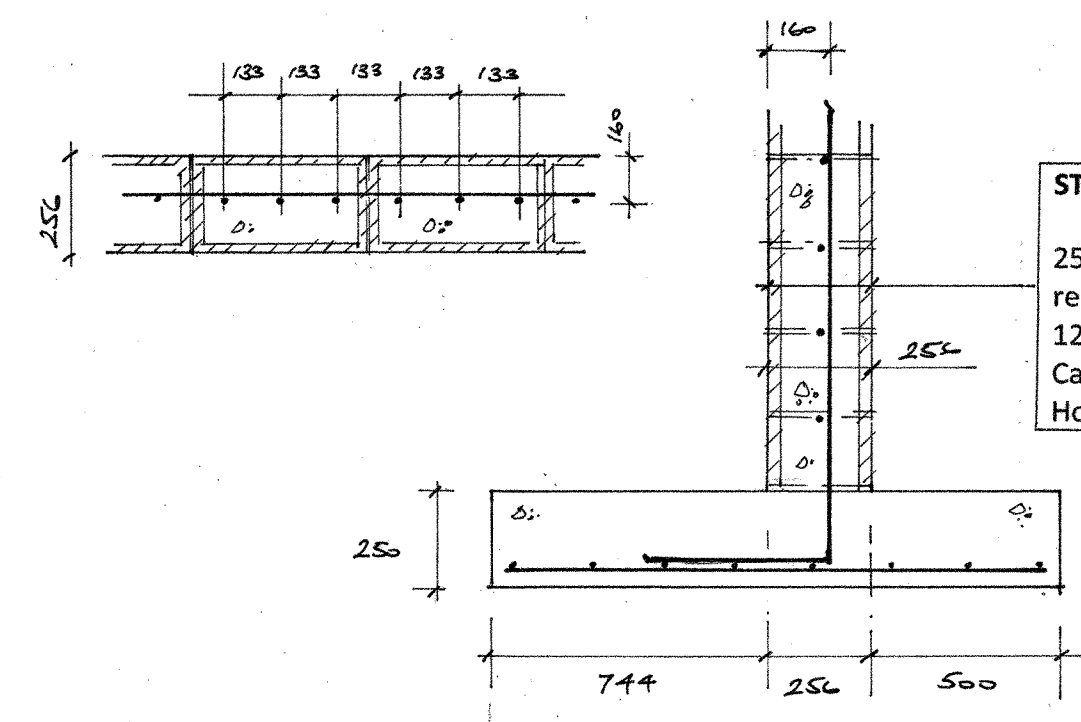


Adhesive Tanking Membrane applied to rear of blockwork (Bituthene 300 or similar) + protective board.

REINFORCED HOLLOW BLOCKWORK RETAINING WALL
215mm thick Grade 10N/mm² Hollow Blockwork laid in 1:1/4:3 cement/lime/sand mortar reinforced with H16 L Bars (leg lengths 500x1200) @ 225mm centres + H12 Vertical Bars @ 225mm centres ties to the L Bars. Horizontal bars to be H6 @ 225mm centres.
Hollows to be filled with 1:3:2 cement/sand/10mm Aggregate (slump 100mm +/- 25mm for adequate flow).
Wall to be laid in maximum of 3 course lifts at a time.

FOUNDATION SLAB
1500mm wide x 250mm thick Grade RC35 Concrete reinforced with a single layer of A393 Square Mesh with 40mm bottom cover. Slab laid onto a 1200 gauge polythene membrane.

STEPOC BLOCK OPTION (Dry Laid)
256mm wide Stepoc Interlocking Blocks reinforced with H12 LBars (leg lengths 500 x 1200) @ 133mm centres .
Cavity fill concrete, H12 Vertical Bars and H6 Horizontal Bars and RC Base all as above.



M. A. HOWARD ASSOCIATES LTD
Consulting Civil & Structural Engineers
188, Bedminster Down Road
BRISTOL, BS13 7AF
Tel (0117) 949 6749
e-mail: mark@mahoward.co.uk

Client: CHRIS JONES
Job: 25, KILNHURST CLOSE, LONGWELL GREEN BRISTOL, BS30 9AB
Drawing Title: RETAINING WALL – Structural Details
Drawing No: 63009/1 February 2016