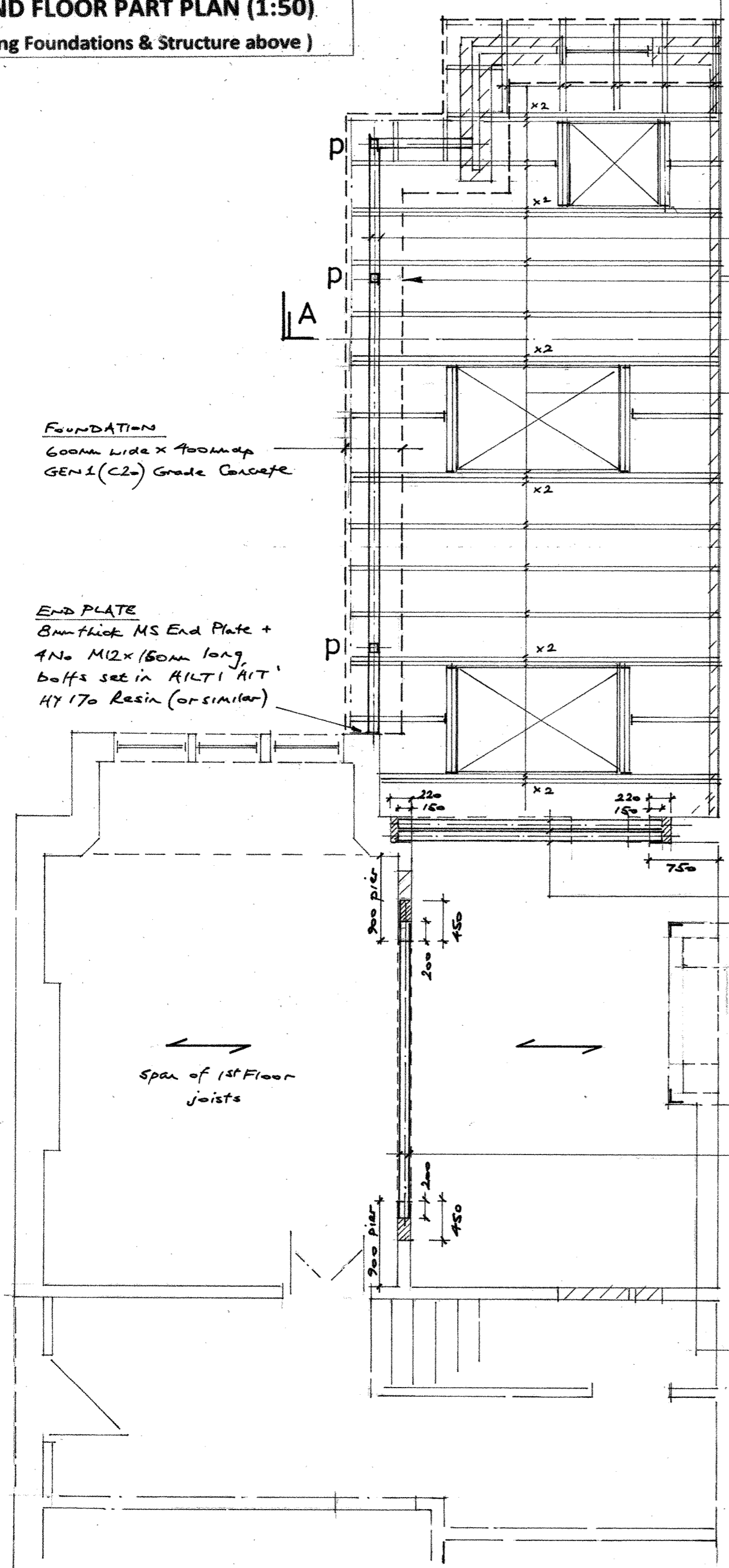


GROUND FLOOR PART PLAN (1:50)
(indicating Foundations & Structure above)

NOTES.

1.0	DO NOT SCALE FROM THIS DRAWING. All dimensions to be confirmed by site measurement. This drawing is to be read in conjunction with all current relevant Architects Drawings and Sketch No. 73112/Sk01.
2.0	STEELWORK - to be grade S355, blast cleaned in accordance with Clause 720 of BS7079 Part A1, preparation grade SA2.5, shop primed with high build zinc phosphate (dry film thickness 75 microns).



PERIMETER BEAM:
178 x 102 x 13 kg/m UB supported onto
3 No 90 x 90 x 5mm S15 Steel Posts
(denoted 'P' on plan).

FLAT ROOF JOISTS
47 x 195 C24's @ 600mm max cts.
and doubled up where denoted x2.

FOUNDATION
600mm wide x 400mm dp
GEN 1 (C20) Grade Concrete

END PLATE
8mm thick MS End Plate +
4 No M12 x 150mm long
bolts set in KILTI 'KIT'
HY 170 Resin (or similar)

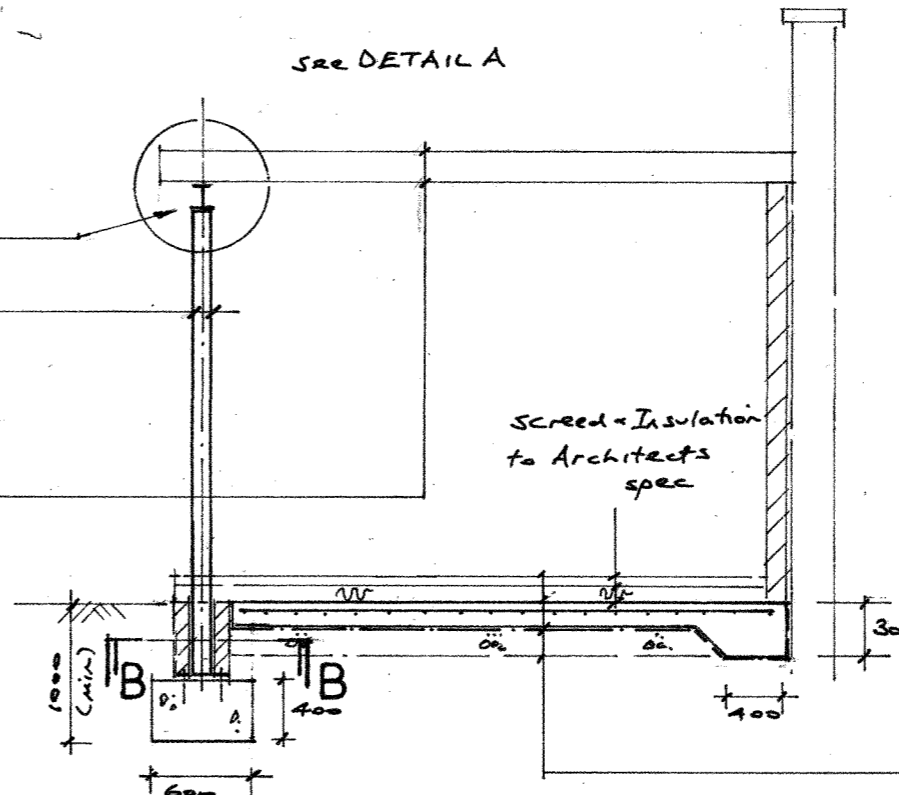
FOUNDATION
Grade GEN 1 (C20)
Concrete.

SUPPORT BEAM 01:
2 No 203 x 102 x 23 kg/m UB's bolted
together with M16 Grade 8.8 Bolts
@ 500mm cts through 48.3mm ϕ CHS
spacer tubes.
Beams to have 150mm end bearings
onto 220mm wide x 100mm dp precast
concrete padstones.

SUPPORT BEAM 02:
203 x 133 x 30 kg/m UB with 200mm
end bearings onto 450mm lengths of
100mm wide x 150mm dp precast
concrete padstones.

CHIMNEY BREAST SUPPORT
see Sketch No 73112/Sk01

See DETAIL A

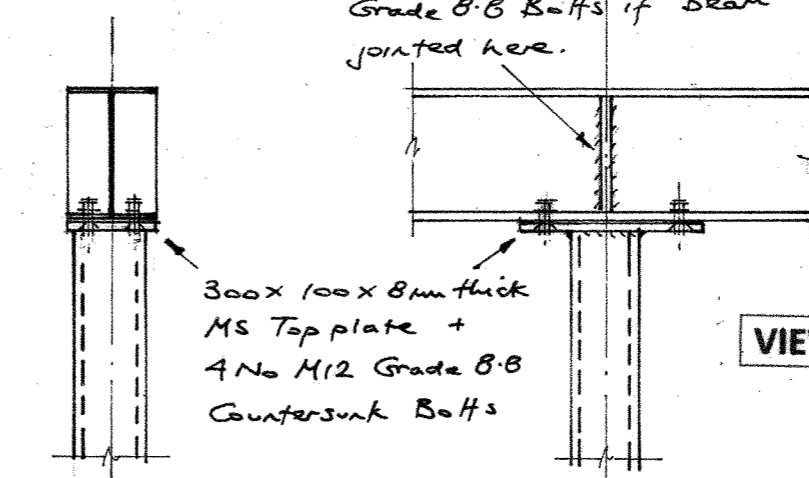


SECTION A - A
(1:50)

GROUND FLOOR CONSTRUCTION
Screed + Insulation (to Architects spec)
onto 150mm thick Grade RC35 Concrete
Slab reinforced with A252 Mesh with
25mm top cover. Slab laid on
1200 Gauge Polythene onto 150mm
of sand bladed well compacted Hardcore.

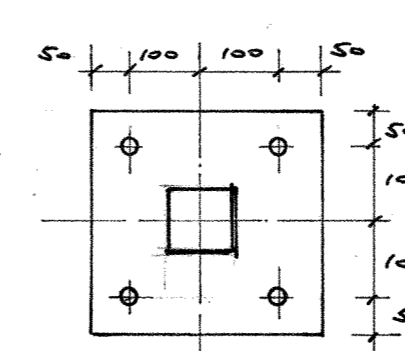
8mm thick MS Web stiffener
or end plates + 4 No M12
Grade 8.8 Bolts if beam
jointed here.

X



VIEW X

DETAIL A (1:10)



SECTION B - B
(1:10)

BASEPLATE
300 x 300 x 12mm MS Plate +
4 No M16 x 150mm long bolts
set in KILTI 'KIT' HY 170
Resin (or similar).

M. A. HOWARD ASSOCIATES LTD
Consulting Civil & Structural Engineers

188, Bedminster Down Road
BRISTOL, BS13 7AF

Tel (0117) 949 6749
e-mail: mark@mahoward.co.uk

Client:	Mr. & Mrs. ROBERTS
Job:	No.10, CAVENDISH ROAD, HENLEAZE, BRISTOL BS9 4DZ - Proposed Alterations & Extension
Drawing Title:	STRUCTURAL WORKS
Sketch No:	73112/1
	February 2017